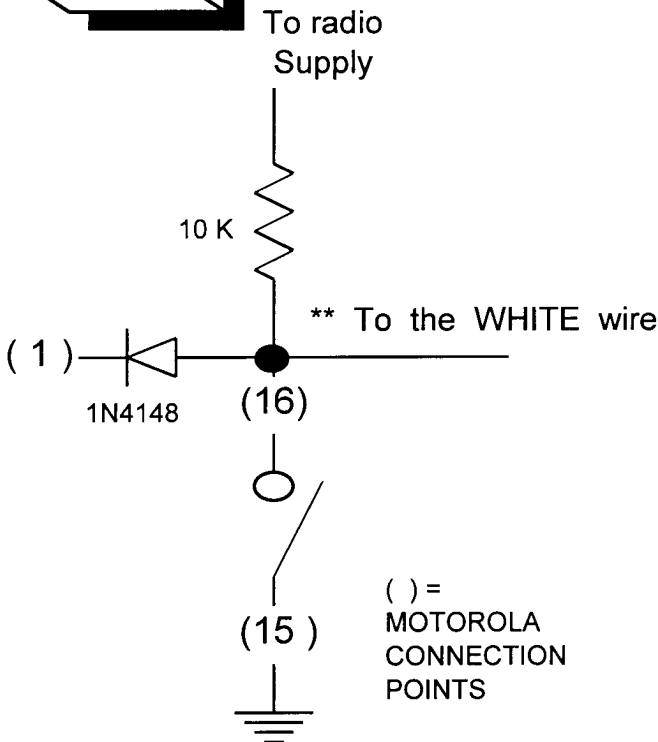
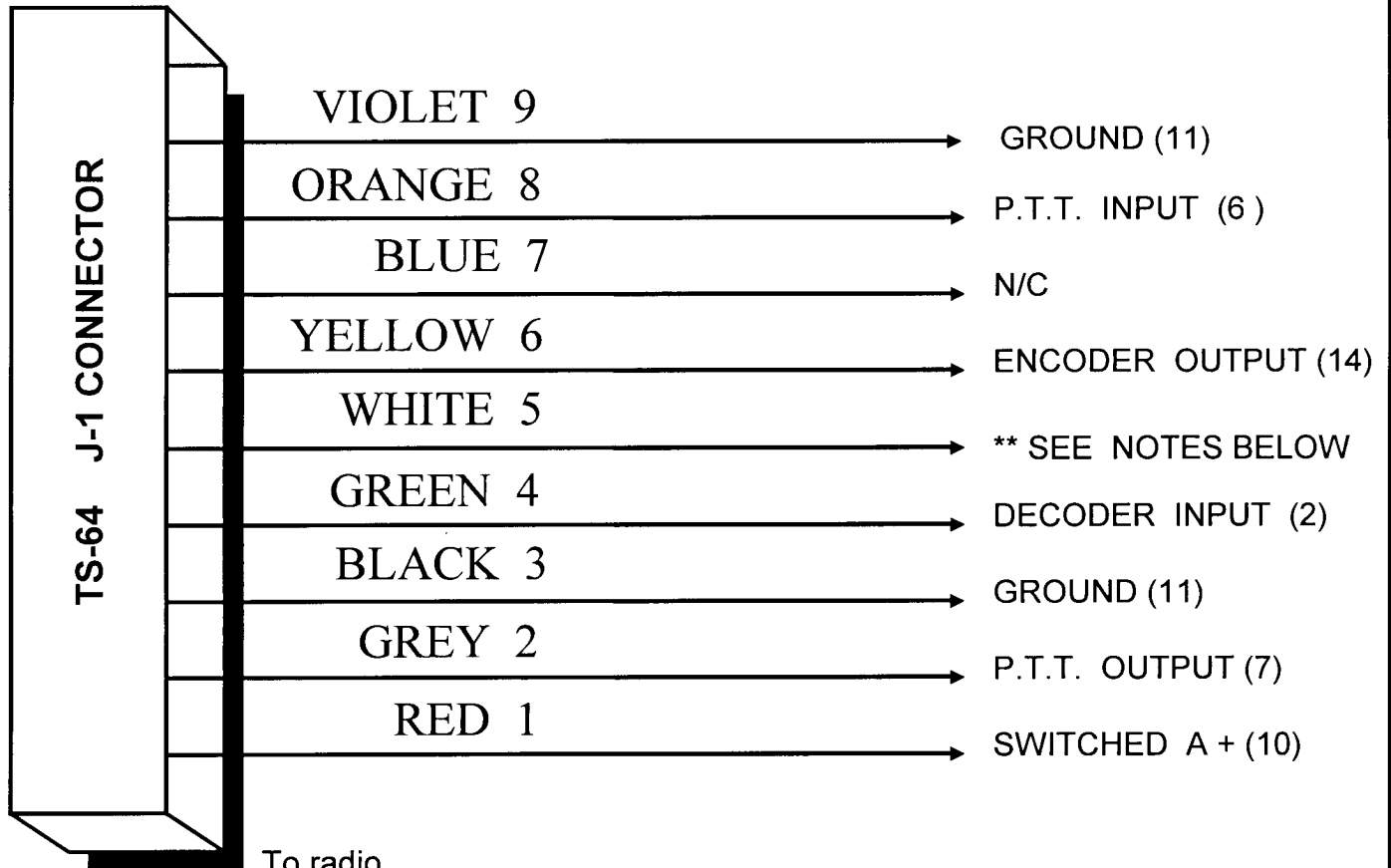


DCS - 23

TO MOTOROLA HT-90 & HT-440



RECOMMENDED PARTS

- 1 ea. 10K OHM 1/8 WATT RESISTOR
- 1 ea. 1N4148 SILICON DIODE

NOTE: JP-12 MUST BE ADDED